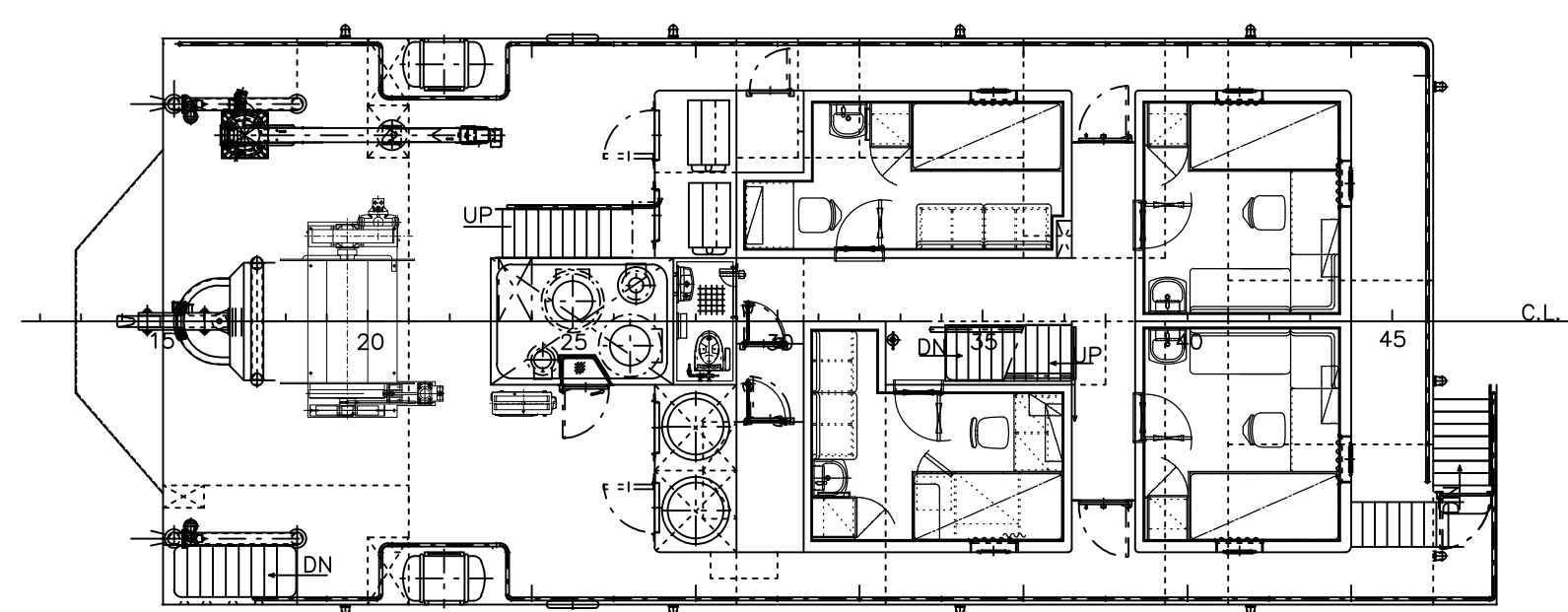
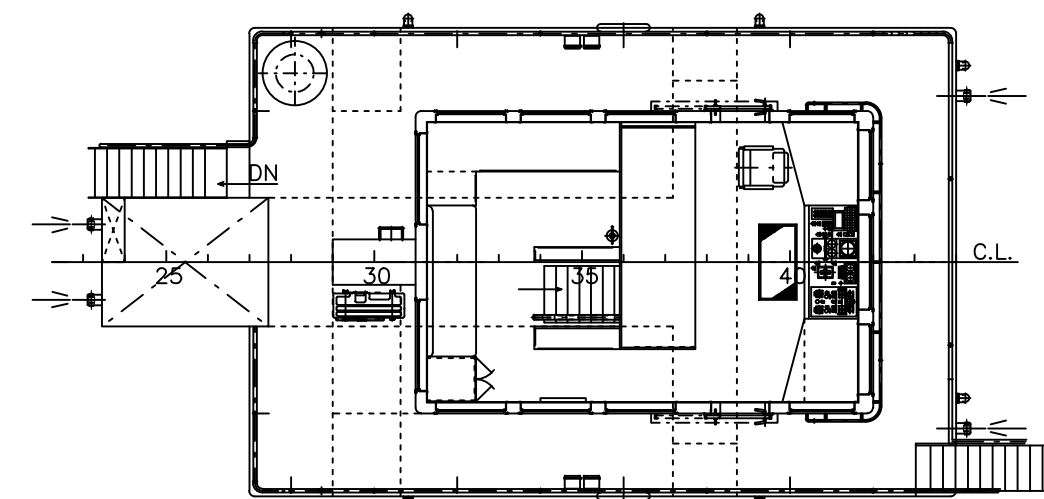


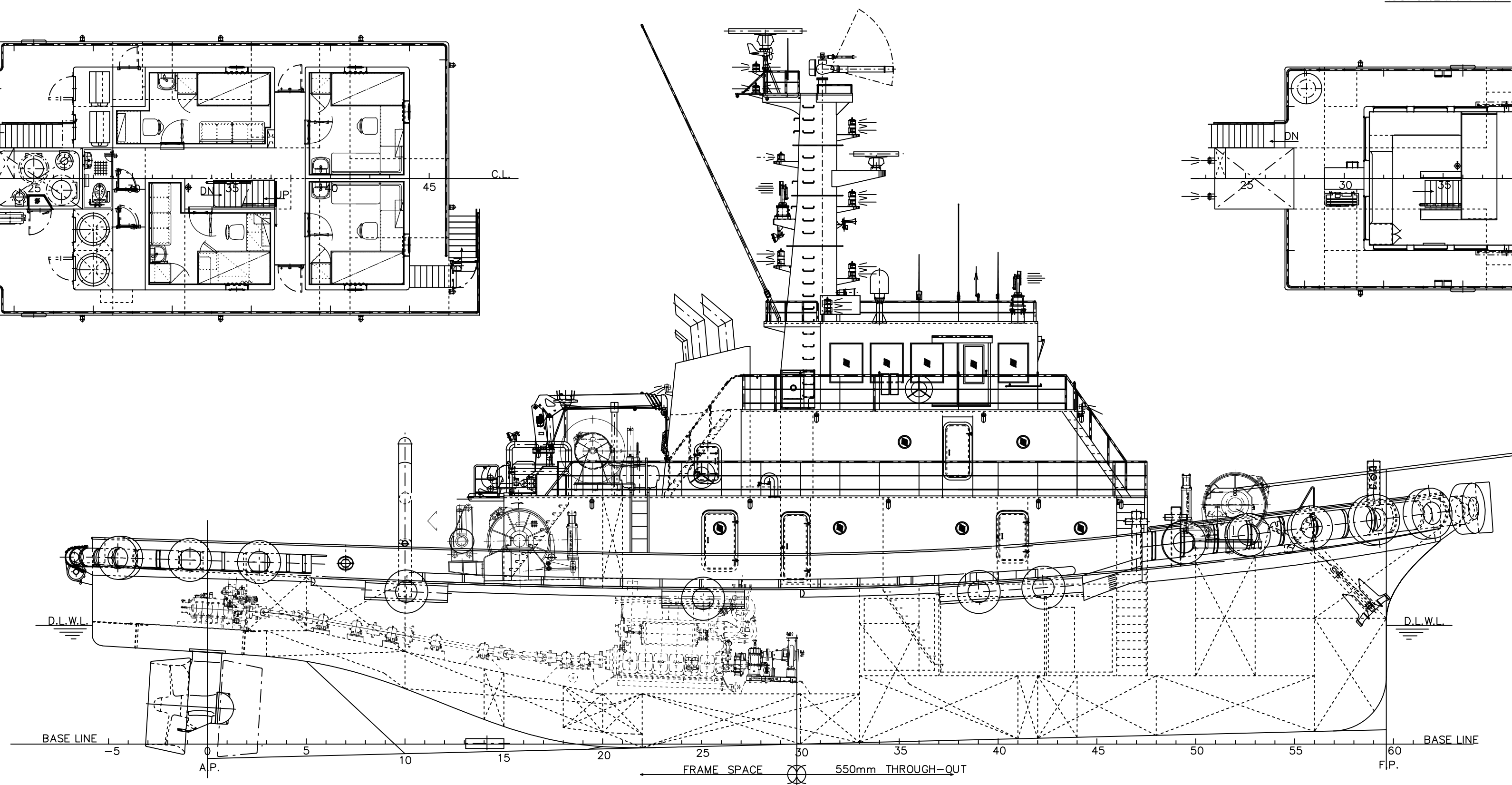
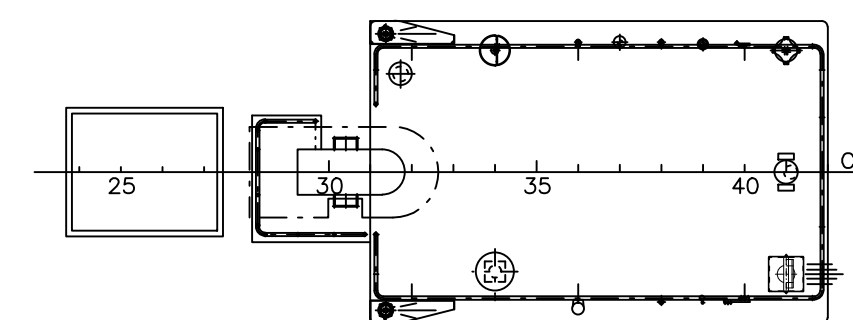
船橋甲板



航海船橋甲板



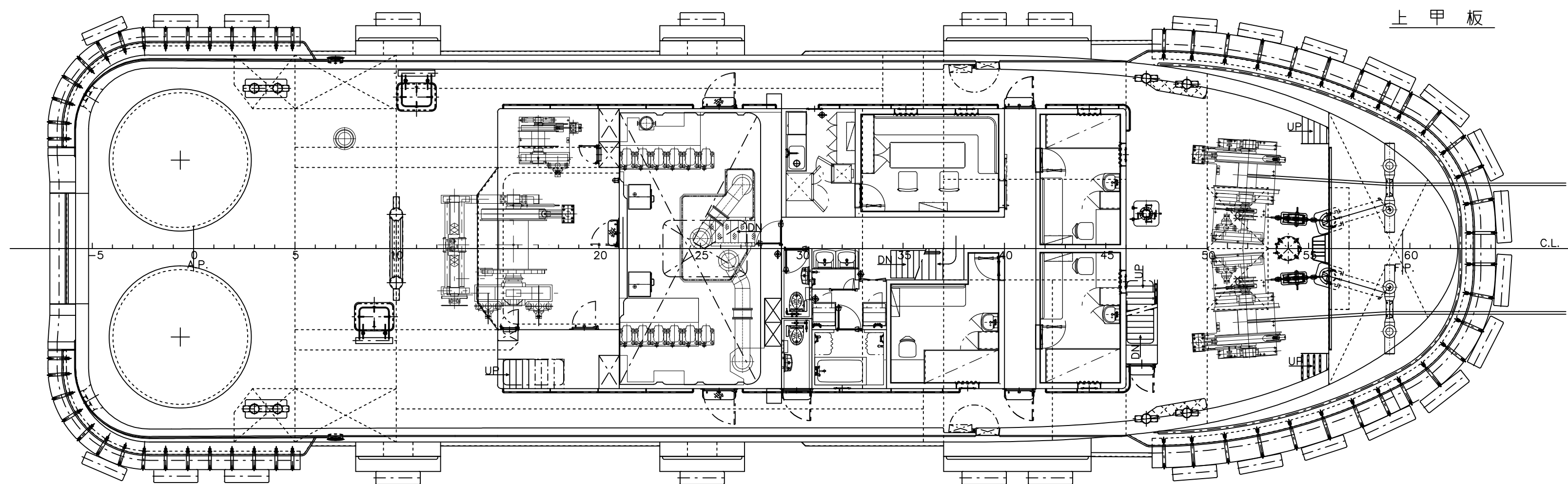
操舵室頂部



PRINCIPAL PARTICULARS

LENGTH (O.A.)	37.50 m
LENGTH (P.P.)	32.80 m
BREATH (MLD)	10.50 m
DEPTH (MLD)	4.30 m
DRAFT (DESIGNED)	3.30 m
INITIAL TRIM	0.80 m
GROSS TON	約299 T
SERVICE AREA	JG 近海区域
MAIN ENGINE	IHI 6L28HX 1,654 kW (2,250 ps) X 750 min <sup>-1</sup> X 2 sets
PROPELLER	IHI ZP-31 X 2 sets
COMPLEMENT	
CREW	7 P
PASSENGER (OVER 24h)	7 P
OTHER (OVER 24h)	4 P
TOTAL (OVER 24h)	18 P

上甲板



船倉

